

The + the Of 40K

- + Simple and secure use
- + Very small floor space requirement
- + Quick and easy installation
- + Simple control and presence of automatic indicator
- + Effective in narrow spaces
- + Effective for cardboard, plastic and wooden crate waste
- + 2 band hooks press plate integrated

Technical characteristics

Dimensions (L x W x h)	1120 x 724 x 2235 mm
Weight	490 kg
Loading opening (L x h)	750 x 630 mm
Door opening	Side By weir hatch (optional)
Floor depth door open	1481 mm
Compaction chamber size	750 x 550 x 1080 mm
Compaction force	Up to 5 tons
Power supply	1,5 kW - 400V - TRI - 3,5A
Floor space required	1600 x 1700 mm
Cycle time	28 seconds
Bale size (L x W x h)	750 x 550 x 650 mm
Cardboard bale weight	30 - 40 kg
Plastic bale weight	40 - 50 kg
Binding type	Nylon 9 mm
Binding number	2

Waste



Plastic



Cardboard



Paper

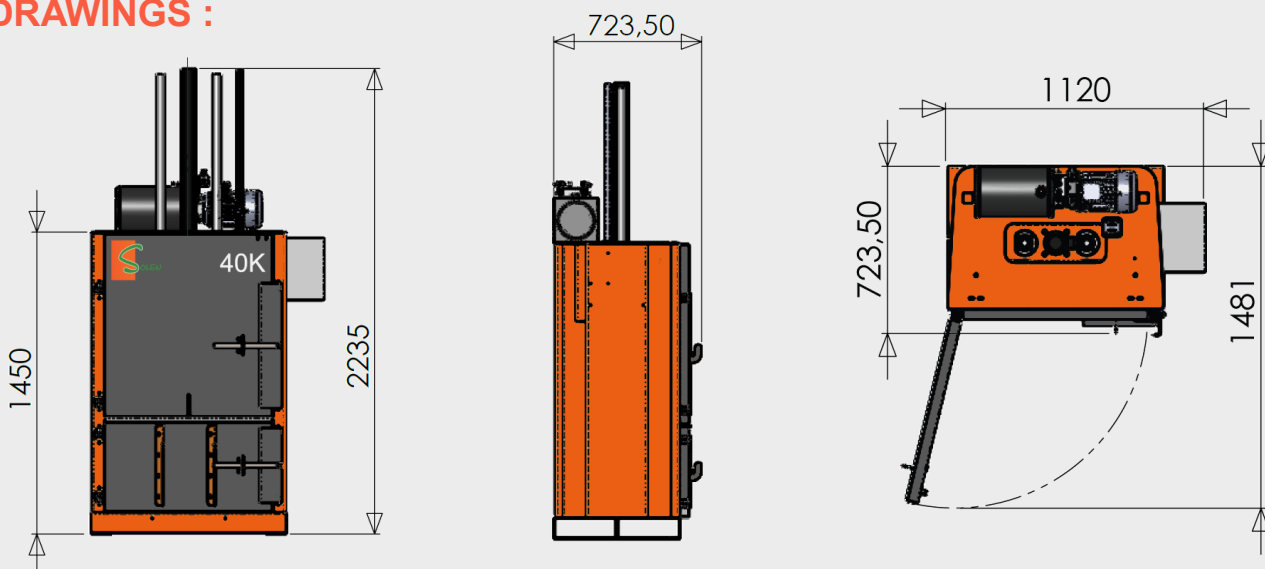
Further information

- CE Certification and maintenance manual
- Supplied with 2m of 4G1.5 square cable
- Cylinder protection by guide column
- 2 band hooks press plate integrated
- Presence of a full bale indicator
- Supplied with bale dolly
- Electric cabinet for automatic cycle
- 220V single-phase power supply (optional)
- Hot-dip galvanized frame (optional)
- Reverse doors (optional)
- 1 curve circuit breaker D - 6A to be provided on the electrical supply of the place of installation (at the customer's expense)

Associated services

- Painting in your color (optional)
- Access control with UNISAFE (RFID) or DIGISAFE (Digital code) (Optional)
- Remote management system (optional)
- Consumable subscription
- Rental contract
- Maintenance contract

DRAWINGS :



The manufacturer can modify the characteristics at any time

RECONDIS TECHNOLOGY SRL

Solutii pentru reciclare

Sighișoara, Mureș, România
RO29549377

Tél. (+40) 0746306044

contact@recondis.com

DOC 2A - JAN2023

www.recondis.com